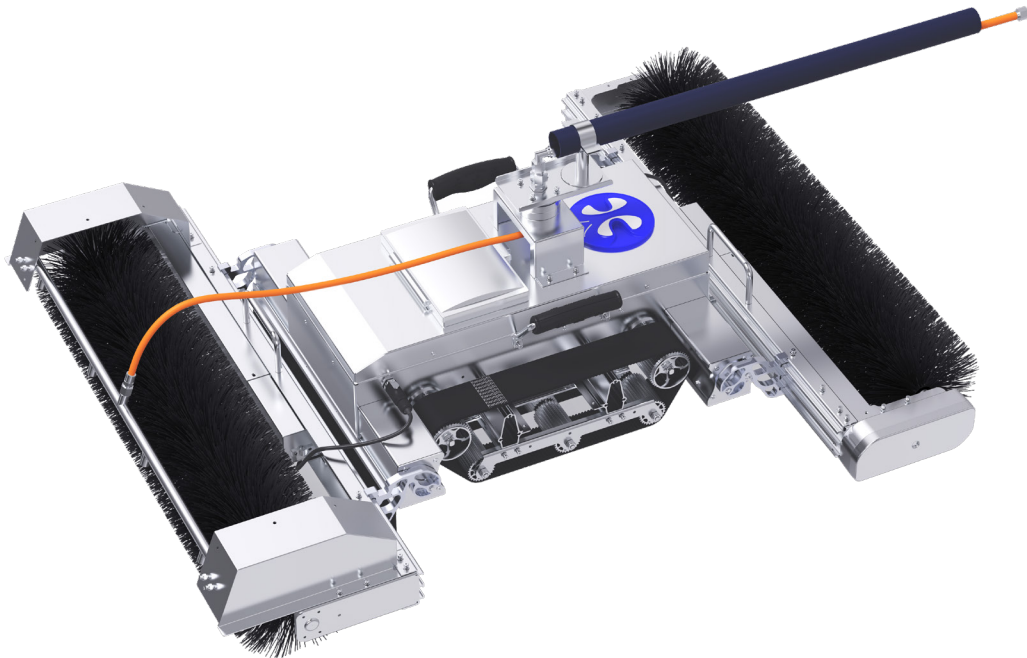




KWUNPHI



E22L

KWUNPHI —

The Advocator of High Standard Clean Quality

Dry Brushing
0~15°
-20~80°C
-20~50°C
40mm
40mm
water Washing Angle
62~74 km/h Fresh Gale
IP 55

Project
PV panel Angle*
PV panel Surface Temp.
Environment Temp.★
PV panel Gap
PV Height Difference
Rainfall
Wind Power
IP Rating

Water Washing
0~10°
0~80°C
0~50°C
40mm
20mm
25~50 mm Light Rain
29~38 km/h Fresh Breeze
IP 55

* PV panel angle data ultimately depends on the characteristics of the contaminant.
 (☆ Shenzhen Kwunphi reserves the right to interpret the data)

Kwun E22L Technical Specification

Technology	Based on TianyunOS Operating System
	Based on Glass vSLAM Visual Navigation Technology
	Based on Goodzenn Path Planning Technology
	Based on Ai-KWUN Operating Platform
	Based on OTA-KWUN Operating Platform

Life & Endurance	Design Life: 6 years
	Warranty(whichever comes first): 1 year or 2400 hours
	Battery Capacity: 15Ah
	The Battery Life*: 4.5 hours
	Charging Time: 3 hours
8 Hours Battery Life: Replace The Battery Every 4.5 hours	

Ability to Clean	Dust (adhesion $\leq 10^{-6}N$) : $\geq 85\%$
	Dust Accumulation (adhesion $\leq 10^{-4}N$) : $\geq 80\%$
	Dried Guano (adhesion $\leq 10^{-2}N$): $\geq 70\%$
	Cleaning Efficiency: $\geq 400m^2/h$

Shape	Body Size* (without brushes): 585*560*250mm
	Body Weight* (without brushes): 19.7kg
	Brush Length* (detachable): 936mm (D type)
	Brush Weight*: 5.7kg & 4.9kg (D type)
	Number of Rolling Brushes: 2

Manipulation	Maximum of Single Control: 12 sets
	Roof RECO Maximum Number Operate: 2 sets
	RECO Maximum Number Operate on Slopes: 2 sets
	Software Upgrade: OTA
	Work at Night: No
	View Logs in Real Time: Yes
	UAV Retraction: No
	Unmanned on Approach Bridge: Yes
	APP Control Remotely: Yes
	Remote Control: No
	Breakpoint Continuation: No
	Adjust the Brush Speed: Yes
Rated Brush Speed: 120r/min	

Security	Working Mode: Autonomous Work; Mobile APP
	Positioning Mode: AI Semantic Vision
	Positioning Accuracy: $\leq 20mm$
	Steering Mode : High Precision Adsorption Steering Mechanism
	Anti-fall Protection : AI Semantic Vision + Ultrasonic
	Anti-skid : Track Self-cleaning + High Precision Deviation Correction Algorithm
	Protection Rate : IP55
	Microcrack Certificate : Certificate Issued by BV

* Battery life may vary due to different situation, loads, battery consumptions and other factors.

* Weight and size of robots may vary slightly due to the change of suppliers.

(☆ Shenzhen Kwunphi reserves the right to interpret the data)